

MAINS DINRAIL DIVERTER

Good performance in surge suppression for branch panels in industrial and commercial environments located in low to medium exposure areas

- ◆ All mode protection
- ◆ Highest safety standard design
- ◆ High surge handling capability up to 120KA
- ◆ LED status indication
- ◆ Remote monitoring
- ◆ Redundant protection segments(80KA or above)
- ◆ Remote Monitoring Panel
- ◆ Fits into most switching box



All mode protection-LEPS MDD series surge diverters provides state-of-the-art protection for branch panels using any power distribution systems such as TT, TN-C or TN-S etc. It offers L-N, L-E and N-E, repeated protection in lightning intense environment by rapidly diverts excess transient surges to ground, away from your sensitive equipment.

Highest safety standard design-It has been engineered to the industry's safest criteria for full compliance with ULI1449 Edition2 by using a specially designed aluminum enclosure. Also with its patented thermal and short circuit fusing included, it ensures safe isolation during sustained abnormal over-voltage events and component failure.

High surge handling capability up to 120KA per line-120KA per line surge handling capability makes MDD series protectors an economical choice for total facility protection.

LED status indication-All models have LED indicators per phase to monitor the integrity of protection.

Remote monitoring-All models features voltage free contacts with normal open/normal close contacts which change state to indicate a fault. It can be interfacing with intelligent building management systems for remote indication.

Redundant protection segment - 80KA or above models employs two to three independent fused and thermal overload protection elements to provide back-up protection for continued equipment survival despite a fault condition. This means you are never left unprotected.

Remote Monitoring Panel (RMP) - Apart from the built-in LED status indication and voltage free change over alarm, an optional Remote Monitoring Panel can be chosen which offers both visual and audible alarm at remote location.

Fits into most switching box-It's compact design match the profile of most common MCBs at used which makes it ideal for inclusion in distribution or switchboard by mounting on the DIN43880 DIN rail.

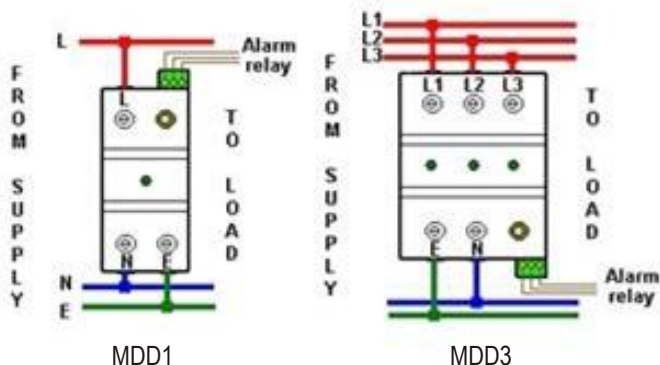




SPECIFICATIONS AND DRAWINGS

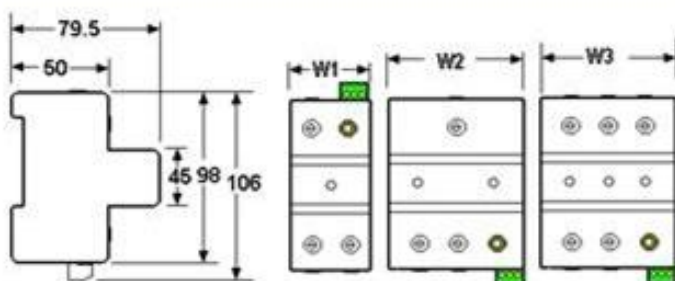
Installation

The diverters are connected in parallel with the protected system(load) as illustrated below:



For detail installation requirements, pls refer to relevant user manual.

Dimensions



	MDD1-25 MDD1-40	MDD1-80 MDD1-120	MDD3-25 MDD3-40	MDD3-80 MDD3-120
W1	36	—	—	—
W2	—	71.5	—	—
W3	—	—	71.5	123.5

Ordering Information

MODEL	DESCRIPTION	WEIGHT
MDD1-25M	1 Ph, 25KA, DINRAIL surge diverter	190g
MDD1-25MA	1 Ph, 25KA, DINRAIL surge diverter, with alarm	195g
MDD1-40M	1 Ph, 40KA, DINRAIL surge diverter	200g
MDD1-40MA	1 Ph, 40KA, DINRAIL surge diverter, with alarm	205g
MDD1-80M	1 Ph, 80KA, DINRAIL surge diverter	320g
MDD1-80MA	1 Ph, 80KA, DINRAIL surge diverter, with alarm	325g
MDD1-120M	1 Ph, 120KA, DINRAIL surge diverter	345g
MDD1-120MA	1 Ph, 120KA, DINRAIL surge diverter, with alarm	350g
MDD3-25M	3 Ph, 25KA, DINRAIL surge diverter	345g
MDD3-25MA	3 Ph, 25KA, DINRAIL surge diverter, with alarm	350g
MDD3-40M	3 Ph, 40KA, DINRAIL surge diverter	360g
MDD3-40MA	3 Ph, 40KA, DINRAIL surge diverter, with alarm	370g
MDD3-80M	3 Ph, 80KA, DINRAIL surge diverter	490g
MDD3-80MA	3 Ph, 80KA, DINRAIL surge diverter, with alarm	500g
MDD3-120M	3 Ph, 120KA, DINRAIL surge diverter	610g
MDD3-120MA	3 Ph, 120KA, DINRAIL surge diverter, with alarm	620g

Notes:

(1) The above models have an operating voltage of 180-280Vrms(1ph), 300-480Vrms(3ph). Other operating voltage ranges are available on requested.

General Specifications

Nominal voltage:	220Vrms(1ph) , 380Vrms(3ph)
Operating voltage:	180-280Vrms(1ph) , 300-480Vrms(3ph)
Frequency:	40-60Hz
Earth leakage current:	10μA
Max. Surge rating per line: Let	See ordering information
through voltage:	<850V for 3KA Cat B
Protection mode:	LN ,LE ,NE
Response time:	<5ns
Standards compliance:	BS6651-1999 cat.A,B,C AS1768-2003 cat.A,B,C IEEE C62.41 cat.A,B,C CP33-1999 cat.A,B,C IEC 1000-4-5 1995 UL1449 second edition
Alarm isolation:	4KV
Status indicator:	LED (Green=OK)
Optional remote alarm:	Siren sound, OK and FAIL LED
Alarm(volt free contact):	N/O ,N/C(2A@ 250Vac)
Alarm conductor size:	2.5mm ²
Conductor size:	16mm ²
Operating temperature:	-40-85°C
Humidity:	0-95%(R.H.)
Mounting:	35mm DIN rail (DIN 43880) or Panel screw mount
Enclosure material:	Anodized aluminum
Weight:	See ordering information

LEPS Technologies Ltd.
<http://www.lepstech.com>
 Email: sales@lepstech.com

Local Distributor :


TECHNOPRO
 enterprises

<http://www.technopro.ph>